

LTZD PROFILES

III LTZD profiles are used in fabrication of doors, windows, gates and railings used for low-cost housing .

These profiles are available in various sizes with thickness range from 0.70mm to 1.20mm.

Cost Effective Solutions:

Our profiles are used to design windows and doors that are immaculate in shape, ingenious in design, low-priced in ownership.

All our products are designed to conserve natural resources i.e. water and wood.

Quality:

Built to the highest standards and pioneered by III, our “L”, “T”, “D” and “Z” profiles are solid, reliable and versatile.

Secure your Construction:

Steel doors and windows are ideal for houses, industrial / commercial building, and warehouses. These profiles are available on all surface finishes so that you don't have to compromise on aesthetics.

Backed by the III hallmark of quality every meter of the “L”, “T”, “D” and “Z” range symbolizes strength, durability and quality.

Salient Features:

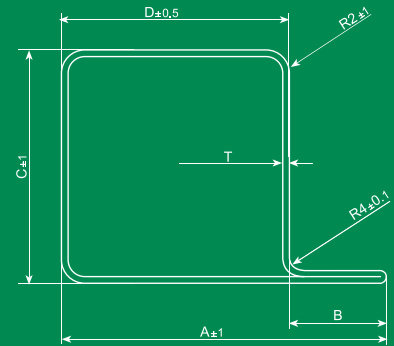
- Environment friendly
- Guaranteed tube count per bundle
- Over 50 years of manufacturing experience and exporting to 60 countries
- Certification: ISO 9001, 14001, ISO 45001 and CE



Promising Reliability, For Now and Tomorrow

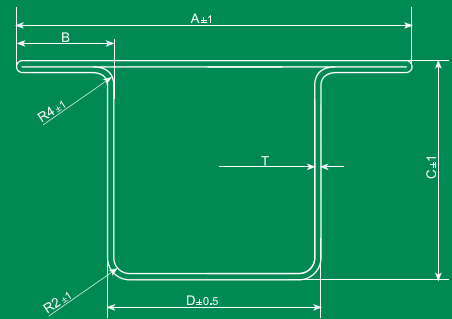
L-PROFILE

Shape	Thickness	No. of Pipes / Bundle	Standard Weight	Minimum Bundle Weight	Dimensions			
	(mm)				(Kg/mtr)	Kg	A	B
L-40	0.70	210	0.678	794	38	13	26.5	25
L-40	0.80	210	0.773	906	38	13	26.5	25
L-40	0.90	210	0.868	1017	38	13	26.5	25
L-48	0.70	143	0.818	653	48.5	13	26.5	35.5
L-55	0.70	100	0.937	523	52	15	34	37
L-55	0.80	100	1.069	597	52	15	34	37
L-55	0.90	100	1.201	670	52	15	34	37



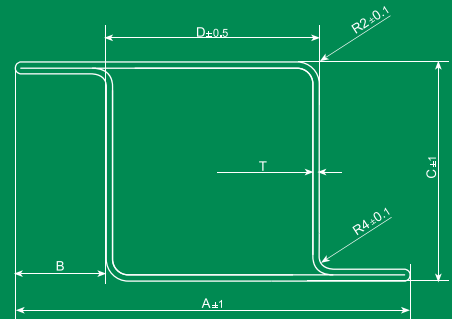
T-PROFILE

Shape	Thickness	No. of Pipes / Bundle	Standard Weight	Minimum Bundle Weight	Dimensions			
	(mm)				(Kg/mtr)	Kg	A	B
T-48	0.70	150	0.818	685	50	13	26	24
T-48	0.80	150	0.933	781	50	13	26	24
T-48	0.90	150	1.048	877	50	13	26	24
T-60	0.70	100	1.029	574	61	15	34	31
T-60	0.80	100	1.174	655	61	15	34	31
T-60	0.90	100	1.318	735	61	15	34	31



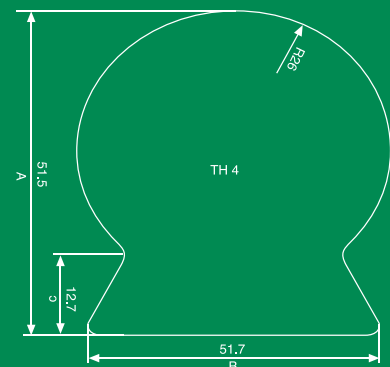
Z-PROFILE

Shape	Thickness	No. of Pipes / Bundle	Standard Weight	Minimum Bundle Weight	Dimensions			
	(mm)				(Kg/mtr)	Kg	A	B
Z-48	0.70	150	0.818	685	50	13	26.5	24
Z-48	0.80	150	0.933	781	50	13	26.5	24
Z-48	0.90	150	1.048	877	50	13	26.5	24
Z-60	0.70	100	1.029	574	61	15	34	31
Z-60	0.80	100	1.174	655	61	15	34	31
Z-60	0.90	100	1.318	735	61	15	34	31



D-PROFILE

Shape	Thickness	No. of Pipes / Bundle	Standard Weight	Minimum Bundle Weight	Dimensions		
	(mm)				(Kg/mtr)	Kg	A
D-60	0.70	60	1.029	356	51.5	51.7	12.7
D-60	0.90	60	1.318	456	51.5	51.7	12.7
D-60	1.20	60	1.749	604	51.5	51.7	12.7



ISO 9001, ISO 14001, ISO 45001, API 5L, PSQCA, UL & CE Mark Certified Company